



For Security
Fixed Focal

YF4A-2

Applicable camera (model)

1	2/3	1/2	1/3	1/4

FIXED

Fixed Focal

MANUAL

Manual Iris

CS-mt

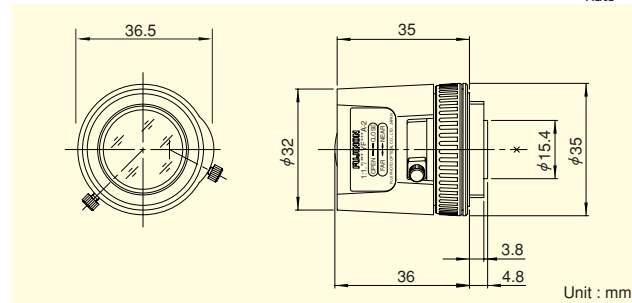
CS Mount

F1.2

Wide Aperture Rate



- Compact and lightweight design of 30g, best suited for built-in lenses
- Wide aperture of F1.2, optimizing the performance at low lighting intensity



Unit : mm

Focal Length (mm)		4
Iris Range		F1.2 ~ Close
Operation	Focus	Manual
	Iris	Manual
Angle Of View (H×V)	1/3"	65°21' × 49°27'
	1/4"	49°27' × 37°15'
Focusing Range (From Front Of The Lens) (m)		∞ ~ 0.1
Object Dimensions at M.O.D. (H×V) (mm)	1/3"	132 × 99
	1/4"	99 × 73
Back Focal Distance (in air) (mm)		8.62
Exit Pupil Position (From Image Plane) (mm)		727
Filter Thread (mm)		—
Mount		CS
Mass (g)		30
Remarks		

FIXED FOCAL LENGTH LENSES